



IOTA-PI100

Odorant Injection

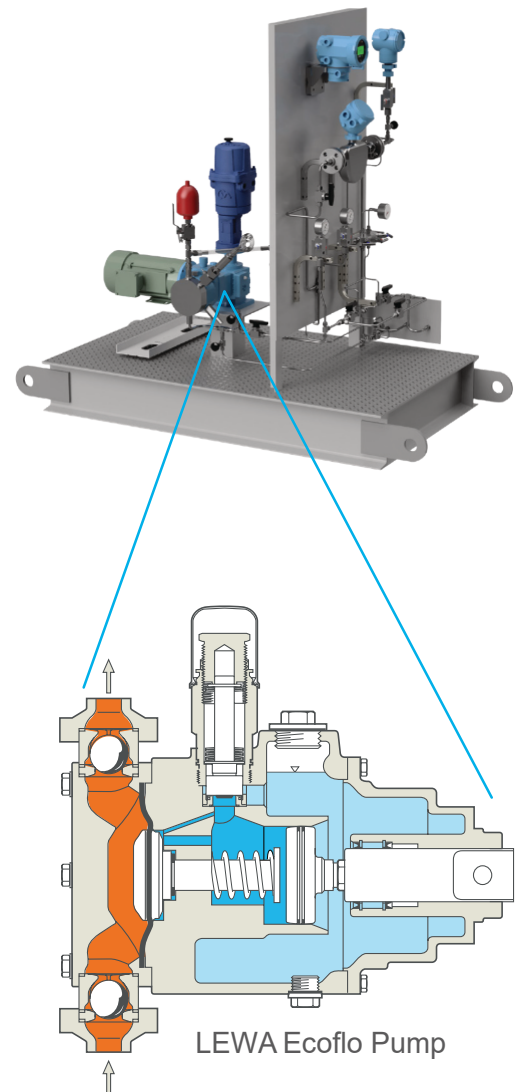
Injecting gas with a strong scented odorant provides the ability to easily detect gas leaks.

The odorant added to natural gas prior to use acts as a last line of defense, to allow the smell to be detected, before an incident occurs.

What if you had high-accuracy odorant injection into your high pressure natural gas streams, while also providing fail-safe operation should a loss of power occur?

What if you could minimize over/under odorization events, and empower your maintenance staff with both real-time and historical data, and also state based alarming based on the operation of your odorization solution?

- Low maintenance cost
- Odorant-free operation
- Alarming and monitoring
- High turn-down ratio
- Environmentally friendly (no venting)
- Tight control for accurate dosing
- Real time and historical data available remotely
- High pressure and high flow service





IOTA-PI100

Odorant Injection



Utilidor enclosure

Application

Gas Plants and Natural Gas Fired Power Plants

Gas plants and natural gas fired power plants both use large amounts of high pressure natural gas in their operations, which is sourced directly from unodorized high-pressure natural gas transmission lines. Gas must be odorized before it can be safely used by the facility, and with the high flow rates in these applications and costs of odorant, any overodorization can lead to significant impacts on overall profitability.

Technical Specifications

Environment	-10°C to 60°C (14°F to 140°F) w/o Building -40°C to 60°C (40°F to 140°F) with Building
Pressure Rating	1440 psi (60 bar)
Natural Gas Flow Ranges	1,100 Sm ³ /hr (39,000 SCFH) to 2,744,000 Sm ³ /hr (96,888,000 SCFH)
Odorant Flow Rate	0.011 to 27.5 l/hr (.003 to 7.25 GPH)
Area Classification - Skid	Class 1 Division 1, Groups C&D, T3
Power Requirements	120VAC & 208VAC

